



ULTRAFLAT LIGHT PANELS

lifetime
100.000
hours

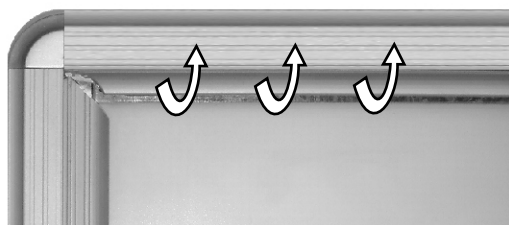
ULTRAFLAT LIGHT PANELS

Appearance:

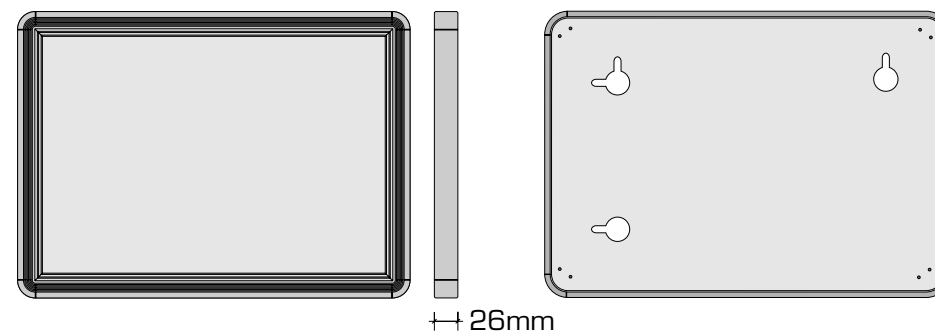
Bright and evenly spread illumination . Thanks to the flat surface of construction and the aesthetic quality of the make our light advertisement boards fulfill their advertising, informative and decorative function.

Functionality:

The light and compact structure ensures that both the installation and relocation is simple. In addition a well designed closing mechanism allows for a very easy exchange of pictures or graphics.



Glowing colour:	white
Brightness:	2000-3000 mcd / m2
Light source:	LED
Light source lifetime:	up to 100.000 h
Power source:	12 V
12V/220V adaptor:	included
Standard formats:	A1, A2, A3, A4
Thickness:	26 mm (all formats)
Weight:	8kg, 4.5kg, 3kg, 2kg



Durability:

The quality of the materials used guarantees a an enhanced resistance to deformation caused by high temperatures. The source of light is based on the newest generation of LED diodes which guarantee that the source of light will last for up to 100.000h.

Energy Saving:

The LED diodes powered by a 12V current guarantee a low level of energy consumption when compared to traditional neon light board, the brightness of the picture and the even spread of light being unquestionable.

